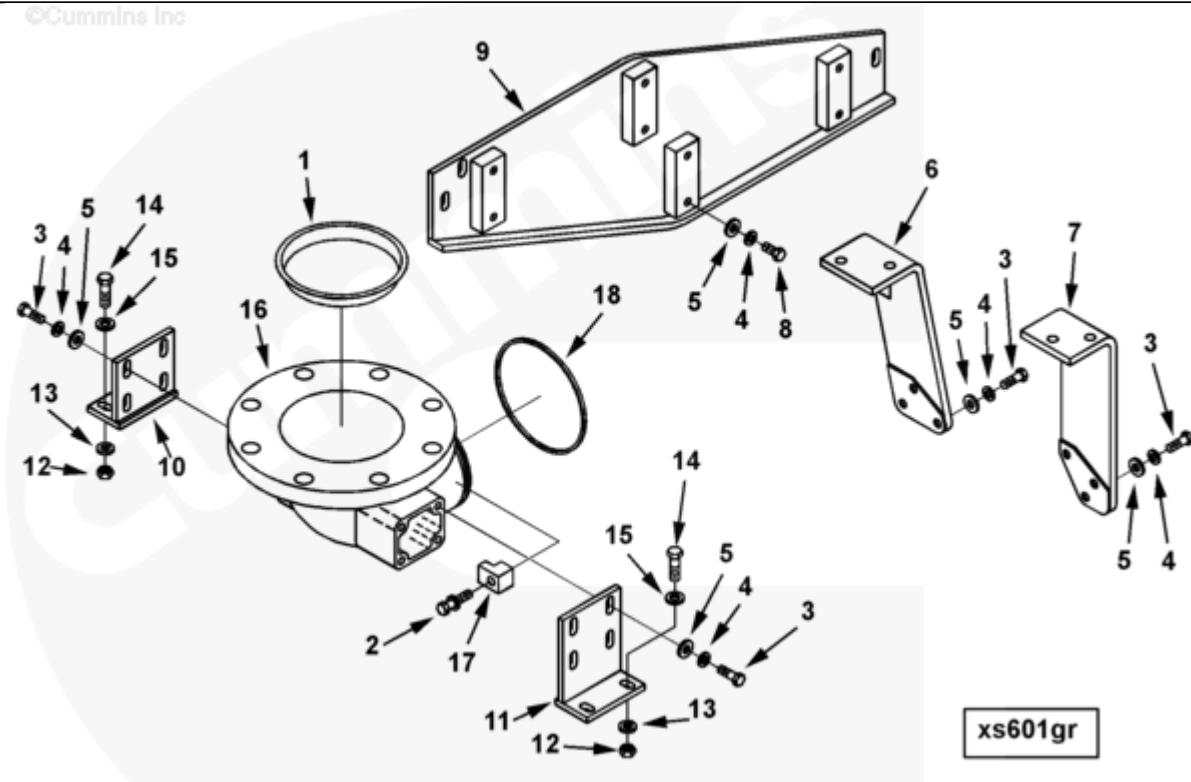




Parts Catalog - Option Detail

Electronic Parts Catalog - Option Detail				
Option	Group	Graphic	Film Card	Date
XS6023-06	11.01.1	xs601gr	K38	17-DEC-07
Engines	GTA38, K38, KTA38GC CM558, QSK38 CM2150 K106, QSK38 CM2150 MCRS, QSK38 CM850 MCRS			



SMALL | MEDIUM | LARGE

Cart	Ref No	Part Number	Part Description	Required	Remarks
View My Cart					
		XS6023-06	Exhaust Collector Connection		Connection, exhaust outlet...(More)
					two 90 degree cast iron,
					flanged turbocharger exhaust
					connections. Outlet end has
					6in. ansi flange to fit xs
					8060 flexible exhaust
					Connection.

					This option is mounted on the
					engine and supported by
					brackets bolted to the rocker
					housings.
<input type="checkbox"/>	1	3176534	Protective Cover	2	
<input type="checkbox"/>	2	3065723	Captive Washer Cap Screw	8	3/8 - 16 X 1 3/4 in.
<input type="checkbox"/>	3	S 172 B	Hexagon Head Cap Screw	22	3/8 - 16 X 1 1/8 in.
<input type="checkbox"/>	4	S 604	Lock Washer	30	3/8 in.
<input type="checkbox"/>	5	108330	Plain Washer	30	3/8 in.
<input type="checkbox"/>	6	3866496	Exhaust Connection Bracket	1	
<input type="checkbox"/>	7	3866500	Exhaust Connection Bracket	1	
<input type="checkbox"/>	8	S 109	Hexagon Head Cap Screw	8	3/8 - 16 x 7/8 in.
<input type="checkbox"/>	9	3866506	Exhaust Outlet Connection Brace	1	
<input type="checkbox"/>	10	3866698	Exhaust Connection Bracket	2	
<input type="checkbox"/>	11	3866701	Exhaust Connection Bracket	2	
<input type="checkbox"/>	12	S 217	Heavy Hexagon Nut	4	7/16 - 14 UNC.
<input type="checkbox"/>	13	S 610	Lock Washer	4	7/16 in.
<input type="checkbox"/>	14	185804	Hexagon Head Cap Screw	4	7/16 - 14 X 1 3/8 in.
<input type="checkbox"/>	15	3000082	Plain Washer	4	15/32 in.
<input type="checkbox"/>	16	4020161	Exhaust Outlet Connection	2	
<input type="checkbox"/>	17	4020162	Retaining Clamp	8	
<input type="checkbox"/>	18	4020167	Exhaust Manifold Seal	2	